

Compression Load Cell



FEATURES

- Capacities: 30, 40, and 50t
- Self-aligning, stainless steel single column
- Hermetically sealed, IP66 and IP68
- Certified to OIML R60, 6000d and NTEP class IIIIL, 10000 divisions
- Built-in surge protection tubes (GDTs)
- Current calibration output (SC) ensures easy and accurate parallel connection of multiple load cells

OPTIONAL FEATURE

- Digital version available (model DSC)

DESCRIPTION

The ASC is a single column, stainless steel compression load cell.

This product is suitable for use in road and rail weighbridges and process weighing applications.

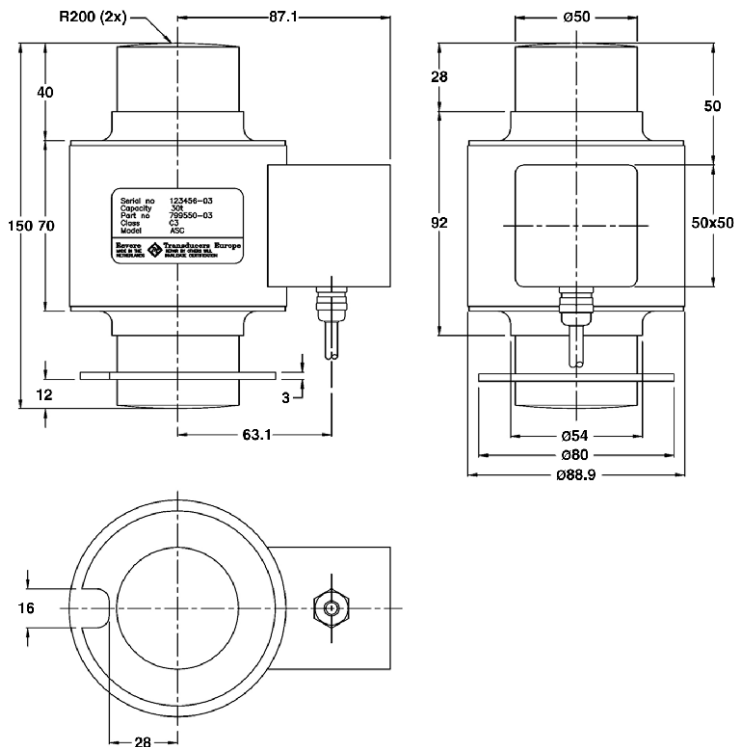
The welded construction and built-in surge protection ensure that this product can be used successfully in harsh environments.

This load cell meets the stringent Weights and Measures requirements both in Europe (OIML) and in America (NTEP).

APPLICATIONS

- Weighbridges
- Silo hopper weighing

OUTLINE DIMENSIONS



Cable specifications:

Cable length: 15 m

Excitation + Green
 Excitation - Black
 Output + White
 Output - Red
 Shield Transparent

Shield is not connected to the load cell body.



SPECIFICATIONS

PARAMETER	VALUE				UNIT
Standard capacities (E_{max})	30, 40, 50				t
Accuracy class according to OIML R-60	NTEP IIII	Non-Approved	C3	C6	
Max. no. of verification intervals	10000		3000	6000	
Min. verification interval ($V_{min}=E_{max}/Y$)			$E_{max}/6,000$	$E_{max}/12,000$	
Min. verification interval, type MR			$E_{max}/15,000$	$E_{max}/30,000$	
Rated output (=S)	2				mV/V
Rated output tolerance	0.02				±mV/V
Zero balance	1.0				±% FSO
Combined error	0.0200	0.05000	0.0230	0.0120	±% FSO
Non-repeatability	0.0100	0.0200	0.0100	0.018	±% FSO
Minimum dead load output return	0.0250	0.0500	0.0167	0.008	±% FSO
Creep error (30 minutes)		0.0600	0.0245	0.0120	±% FSO
Creep error (20 - 30 minutes)	0.030	0.0200	0.0053	0.0026	±% FSO
Temp. effect on min. dead load output	(0.001)	0.0250	0.0117	0.0058	±% FSO/5°C (°F)
Temp. effect on min. dead load output, type MR			0.0047	0.0023	±% FSO/5°C
Temperature effect on sensitivity	(0.0008)	0.0250	0.0088	0.0045	±% FSO/5°C (°F)
Minimum dead load	0				% E_{max}
Maximum safe over load	150				% E_{max}
Ultimate over load	300				% E_{max}
Deflection at E_{max}	0.5 max.				mm
Excitation voltage	5 to 20				V
Maximum excitation voltage	25				V
Input resistance	700±35				Ω
Output resistance	700±35				Ω
Insulation resistance	≥5000				MΩ
Compensated temperature range	-10 to +40				°C
Operating temperature range	-40 to +80				°C
Storage temperature range	-40 to +90				°C
Element material	Stainless steel 1.4542				
Sealing (DIN 40.050 / EN60.529)	IP66 & IP68				
SC-Version (current calibration)	Standard				

FSO-Full Scale Output

SC-version: The rated output and the output resistance are balanced in such a way, that the output current is calibrated to within 0.05% of a reference value. This allows easy parallel connection of the load cells.

VISHAY TRANSDUCERS (VT) SALES OFFICES

VT Americas
City of Industry, CA
PH: +1-626-858-8899
FAX: +1-626-332-3418
vt.us@vishaymg.com

VT Netherlands
Breda
PH: +31-76-548-0700
FAX: +31-76-541-2854
vt.nl@vishaymg.com

VMG UK
Basingstoke
PH: +44-125-646-2131
FAX: +44-125-647-1441
vt.uk@vishaymg.com

VMG Israel
Netanya
PH: +972-9-863-8888
FAX: +972-9-863-8800
vt.il@vishaymg.com

VMG Germany
Heilbronn
PH: +49-7131-3901-260
FAX: +49-7131-3901-2666
vt.de@vishaymg.com

VT China
Tianjin
PH: +86-22-2835-3503
FAX: +86-22-2835-7261
vt.prc@vishaymg.com

VMG France
Chartres
PH: +33-2-37-33-31-20
FAX: +33-2-37-33-31-29
vt.fr@vishaymg.com

VT Taiwan*
Taipei
PH: +886-2-2696-0168
FAX: +886-2-2696-4965
vt.roc@vishaymg.com
*Asia except China



Disclaimer

All product specifications and data are subject to change without notice.

Vishay Intertechnology, Inc., its affiliates, agents, and employees, and all persons acting on its or their behalf (collectively, "Vishay"), disclaim any and all liability for any errors, inaccuracies or incompleteness contained herein or in any other disclosure relating to any product.

Vishay disclaims any and all liability arising out of the use or application of any product described herein or of any information provided herein to the maximum extent permitted by law. The product specifications do not expand or otherwise modify Vishay's terms and conditions of purchase, including but not limited to the warranty expressed therein, which apply to these products.

No license, express or implied, by estoppel or otherwise, to any intellectual property rights is granted by this document or by any conduct of Vishay.

The products shown herein are not designed for use in medical, life-saving, or life-sustaining applications unless otherwise expressly indicated. Customers using or selling Vishay products not expressly indicated for use in such applications do so entirely at their own risk and agree to fully indemnify Vishay for any damages arising or resulting from such use or sale. Please contact authorized Vishay personnel to obtain written terms and conditions regarding products designed for such applications.

Product names and markings noted herein may be trademarks of their respective owners.