

Low Profile Compression Disk



FEATURES

- Electroless nickel plated alloy tool steel
- Compact size with low profile
- Stainless Steel available
- Surge protection optional for 5K-100K lb

DESCRIPTION

The low profile compression disk is designed as the ultimate solution for some difficult applications with critical height for safety reasons. The shear web design provides excellent performance even when the side force inevitably exists in normal operations. The typical example for side

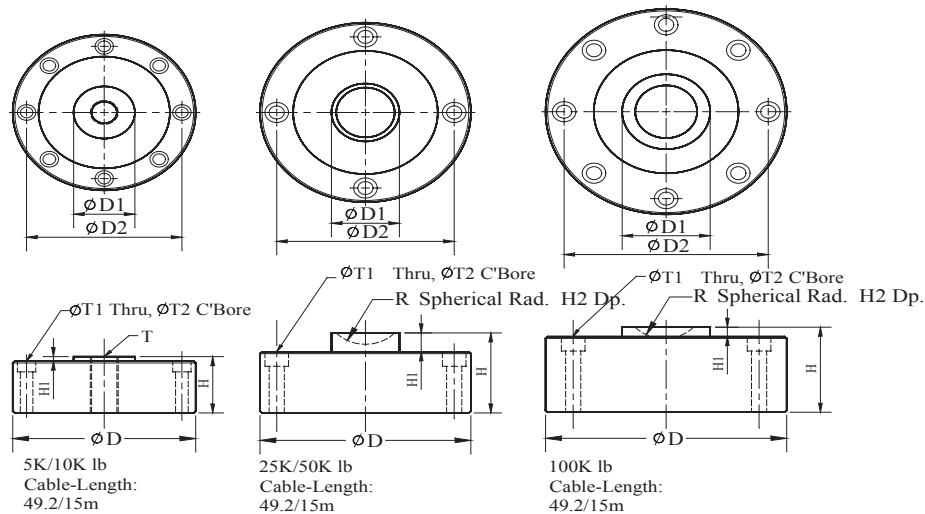
force resistance is the applications in motor truck scales.

LCD is constructed of alloy steel and fully potted with special chemical compounds to IP67 providing excellent protection against moisture and humidity.

APPLICATIONS

- Truck / Rail scales
- Silo / Hopper / Tank weighing
- Universal Material Tester
- Tensile / Pulling Force Measurement

OUTLINE DIMENSIONS



CAPACITY		D	D1	D2	H	H1	H2	R	T	T1	T2
5K / 10K lb	mm	104.7	32.0	88.9	34.8	3.05	----	----	5/8-18UNF	7.2	10.5x7.2DP
	(inch)	4.12	1.26	3.50	1.37	0.12	----	----	----	0.28	0.41x0.28DP
25K / 50K lb	mm	120.7	38.9	101.6	53.8	12.7	7.6	22.2	----	8.7	13.5x9.7DP
	(inch)	4.75	1.53	4.00	2.12	0.50	0.30	0.87	----	0.34	0.53x0.38DP
100K lb	mm	138	50.4	116.8	57.2	6.4	7.6	22.2	----	10.13	16.5x11.0DP
	(inch)	5.43	1.98	4.60	2.25	0.25	0.30	0.87	----	0.41	0.65x0.43DP



SPECIFICATIONS

Standard Capacity	5K, 10K, 25K, 50K, 100K lb		
Recommended Excitation	10 V AC/DC	Compensated Temp. Range	- 10°C to + 40°C
Maximum Excitation	15 V AC/DC	Operating Temp. Range	- 20°C to + 60°C
Output at Rated Load	4 mV/V ± 0.25%	Zero Balance	± 1%
Combined Error	0.05%	Input Resistance	385 ± 5Ω ^{*1}
Non Repeatability	0.02%	Output Resistance	350 ± 3Ω ^{*2}
Creep (20 minutes)	0.03%	Insulation Resistance (50VDC)	>500MΩ
Zero Return (20 minutes)	0.03%	Deflection at Rated Load	<0.5mm
Temp. Effect/10°C on Span	0.015%	Safe Overload	150%
Temp. Effect/10°C on Zero	0.026%	Ultimate Overload	300%

*1 770Ω for 100K lb

*2 700Ω for 100K lb

All specifications listed subject to change without notice.

VISHAY TRANSDUCERS (VT) SALES OFFICES

VT Americas
Covina, CA

PH: +1-626-858-8899
FAX: +1-626-332-3418
vt.us@vishaymg.com

VMG France
Chartres

PH: +33-2-37-33-31-20
FAX: +33-2-37-33-31-29
vt.fr@vishaymg.com

VT Canada
Toronto

PH: +1-416-251-2554
FAX: +1-416-251-2690
vt.can@vishaymg.com

VMG Iberica
Madrid

PH: +34-91-7218890
FAX: +34-91-7219056
vt.es@vishaymg.com

VMG UK
Basingstoke

PH: +44-125-646-2131
FAX: +44-125-647-1441
vt.uk@vishaymg.com

VMG Israel
Netanya

PH: +972-9-863-8888
FAX: +972-9-863-8800
vt.il@vishaymg.com

VT Sweden
Karlskoga

PH: +46-586-630-00
FAX: +46-586-630-99
vt.se@vishaymg.com

VT China
Tianjin

PH: +86-22-2835-3503
FAX: +86-22-2835-7261
vt.prc@vishaymg.com

VMG Germany
Heilbronn

PH: +49-7131-3901-260
FAX: +49-7131-3901-2666
vt.de@vishaymg.com

VT Taiwan*
Taipei

PH: +886-2-2696-0168
FAX: +886-2-2696-4965
vt.roc@vishaymg.com
*Asia except China